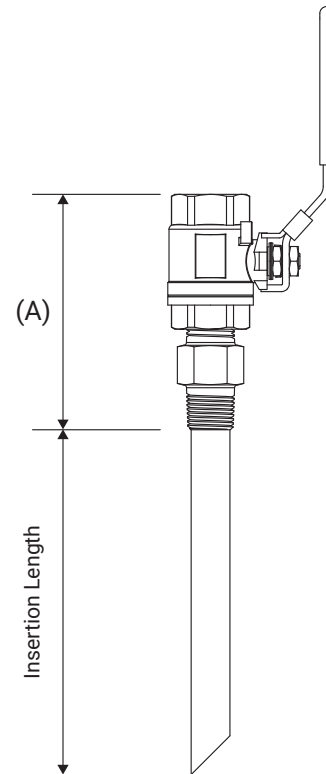


SAMPLING PROBES

NON-RETRACTABLE



SPECIFICATIONS	EB-108	EB-109
SAFETY RATING (PSI) - PVC/CPVC	150	150
SAFETY RATING (PSI) - ALLOY	1500	1500
PROCESS CONNECTION SIZE	1/2" MNPT	3/4" MNPT
INLET CONNECTION SIZE	1/2" FNPT	3/4" FNPT
PROBE NOMINAL SIZE	3/8"	1/2"
PROBE ID - PVC	.423"	.546"
PROBE ID - ALLOY	.493"	.622"
PROBE OD	.675"	.840"
(A) HEIGHT		
- PVC	6"	6.75"
- STAINLESS STEEL	4.25"	5"
OVERALL LENGTH (A + INSERTION)	-	-



1/2" NPT X 3/8" PROBE

SERIES	SOLUTION TUBE MATERIAL	INSERTION LENGTH	TIP CONFIGURATION
EB-108	-	-	-
	P = PVC S = 316SS	2 = 2" 4 = 4" 6 = 6" Alloy Models Only 8 = 8" 10 = 10" 12 = 12" 18 = 18" 24 = 24"	B = 45° Bevel

3/4" NPT X 1/2" PROBE

SERIES	SOLUTION TUBE MATERIAL	INSERTION LENGTH	TIP CONFIGURATION
EB-109	-	-	-
	P = PVC S = 316SS	2 = 2" 4 = 4" 6 = 6" Alloy Models Only 8 = 8" 10 = 10" 12 = 12" 18 = 18" 24 = 24"	B = 45° Bevel



TECH NOTES

- Inlet valve is the same body material as the solution tube.
- The maximum insertion length for PVC models is 6". PVC solution tubes are not covered by warranty when used in process flows with velocities 6 fps or greater.

